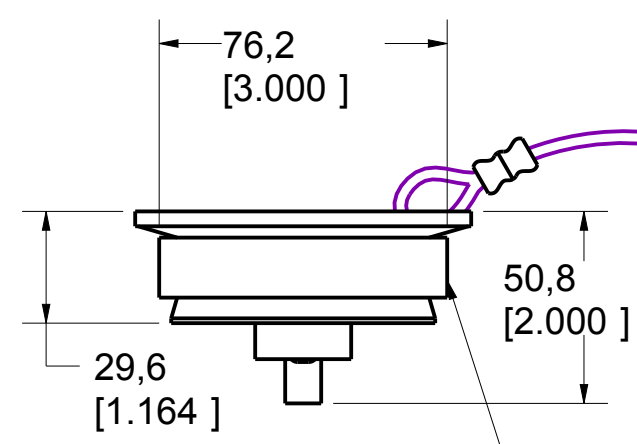
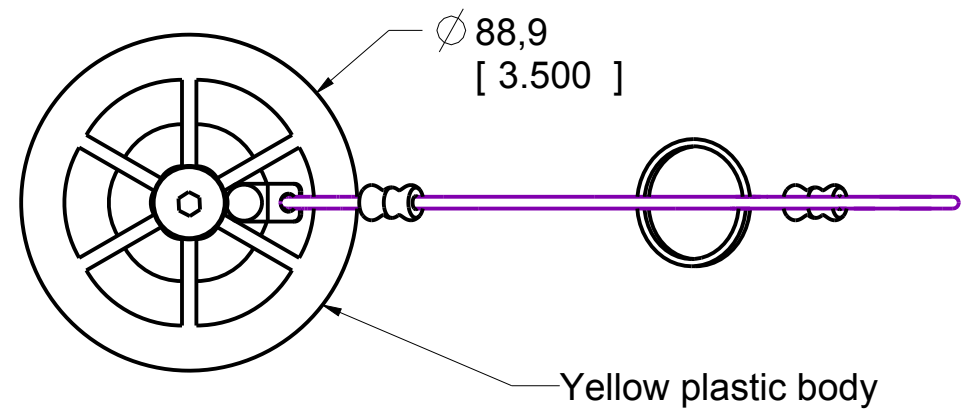
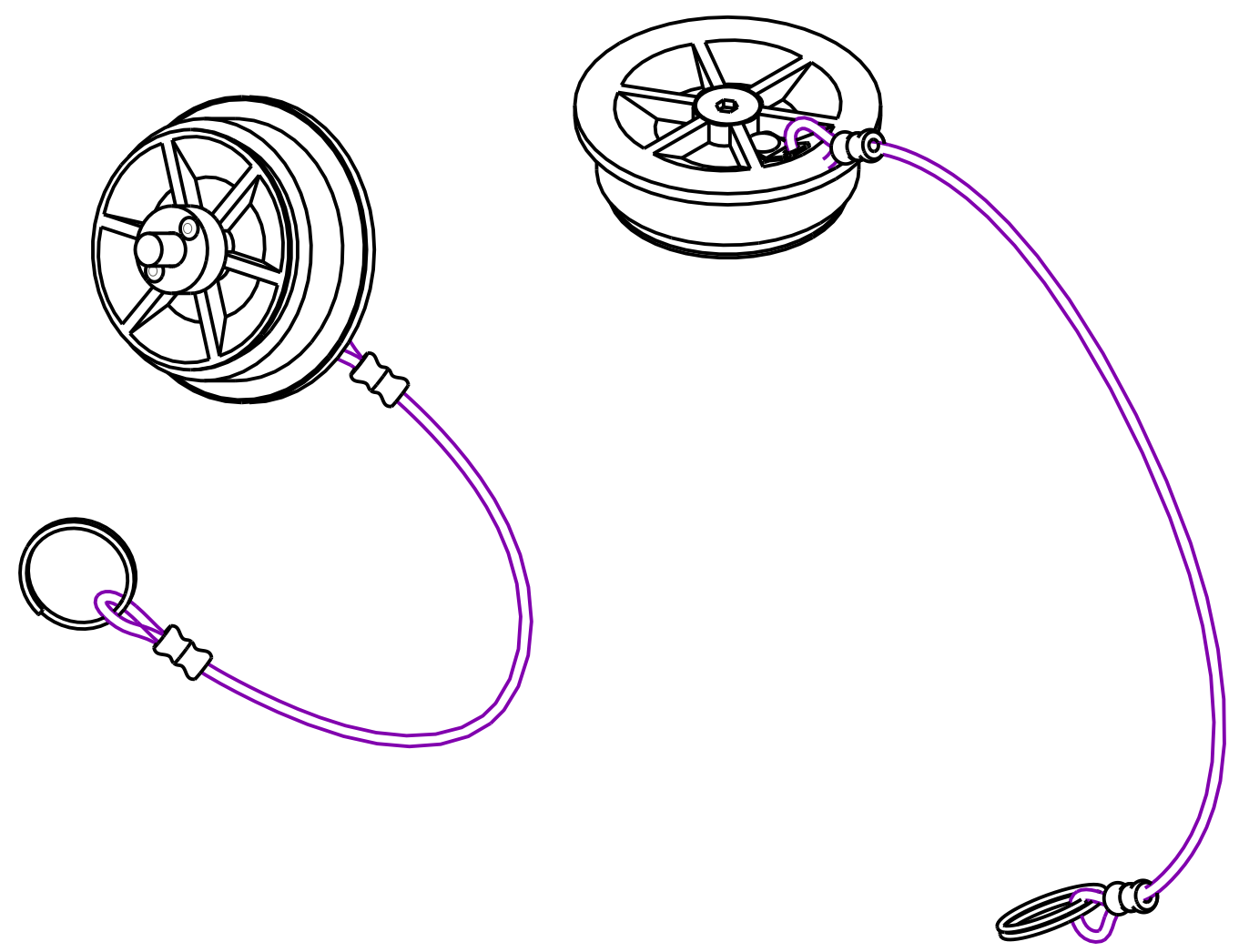


8 7 6 5 4 3 2 1

H
G
F
E
D
C
B
A



Rubber ring



PAT. NO.:	©2006/12/13	©
-----------	-------------	---

PRODUITS DE SERVICE PUBLICS INNOVA INC.
INNOVA PUBLIC UTILITY PRODUCTS INC.

© 9105-0732 QUEBEC INC. and under exclusive license to INNOVA PUBLIC UTILITY PRODUCTS INC., (hereafter « INNOVA »). All rights reserved. Protected under the Copyright Act of Canada and international treaties and agreements regarding copyrights. Violators are subject to prosecution and other legal recourses for infringement. Any reproduction, adaptation or other use or disclosure whatsoever, in totality or in part, and in any form or by any means whatsoever, strictly forbidden and requires the prior written approval of INNOVA. All data is the exclusive property of 9105-0732 QUEBEC INC. and under exclusive license to INNOVA and cannot be used nor disclosed in any way either without the prior written approval of INNOVA.

WEIGHT:	TITLE:
0.5 Lbs	Application drawing of Stopper for base with steel wire
0.2 Kg	

COLOR:	MATERIAL:	SHEET(S):	PROJECT:
Yellow/Black	Rubber/Plastic	1 / 3	IN-2073

8 7 6 5 4 3 2 1

8

7

6

5

4

3

2

1

H

G

F

E

D

C

B

A

H

G

F

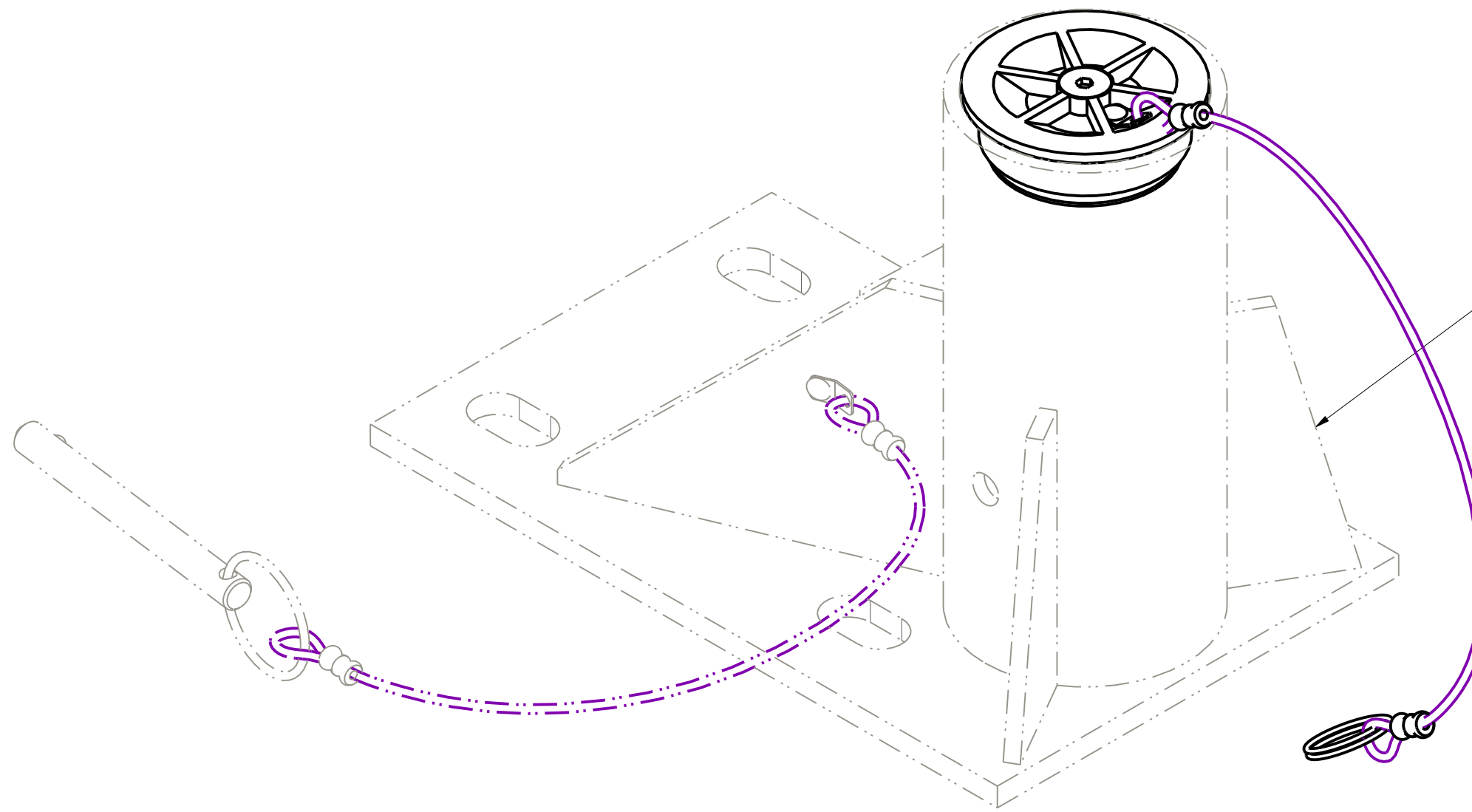
E

D

C

B

A



IN-2005

PAT. NO.:		©2006/12/13	©
PRODUITS DE SERVICE PUBLICS INNOVA INC. INNOVA PUBLIC UTILITY PRODUCTS INC.			
<small>© 9105-0732 QUEBEC INC. and under exclusive license to INNOVA PUBLIC UTILITY PRODUCTS INC., (hereafter « INNOVA »). All rights reserved. Protected under the Copyright Act of Canada and international treaties and agreements regarding copyrights. Violators are subject to prosecution and other legal recourses for infringement. Any reproduction, adaptation or other use or disclosure whatsoever, in totality or in part, and in any form or by any means whatsoever, strictly forbidden and requires the prior written approval of INNOVA. All data is the exclusive property of 9105-0732 QUEBEC INC. and under exclusive license to INNOVA and cannot be used nor disclosed in any way either without the prior written approval of INNOVA.</small>			
WEIGHT:	TITLE:		
0.5 Lbs	Application drawing of		
0.2 Kg	Stopper for base with steel wire		
COLOR:	MATERIAL:	SHEET(S):	PROJECT:
Yellow/Black	Rubber/Plastic	2 / 3	IN-2073

8

7

6

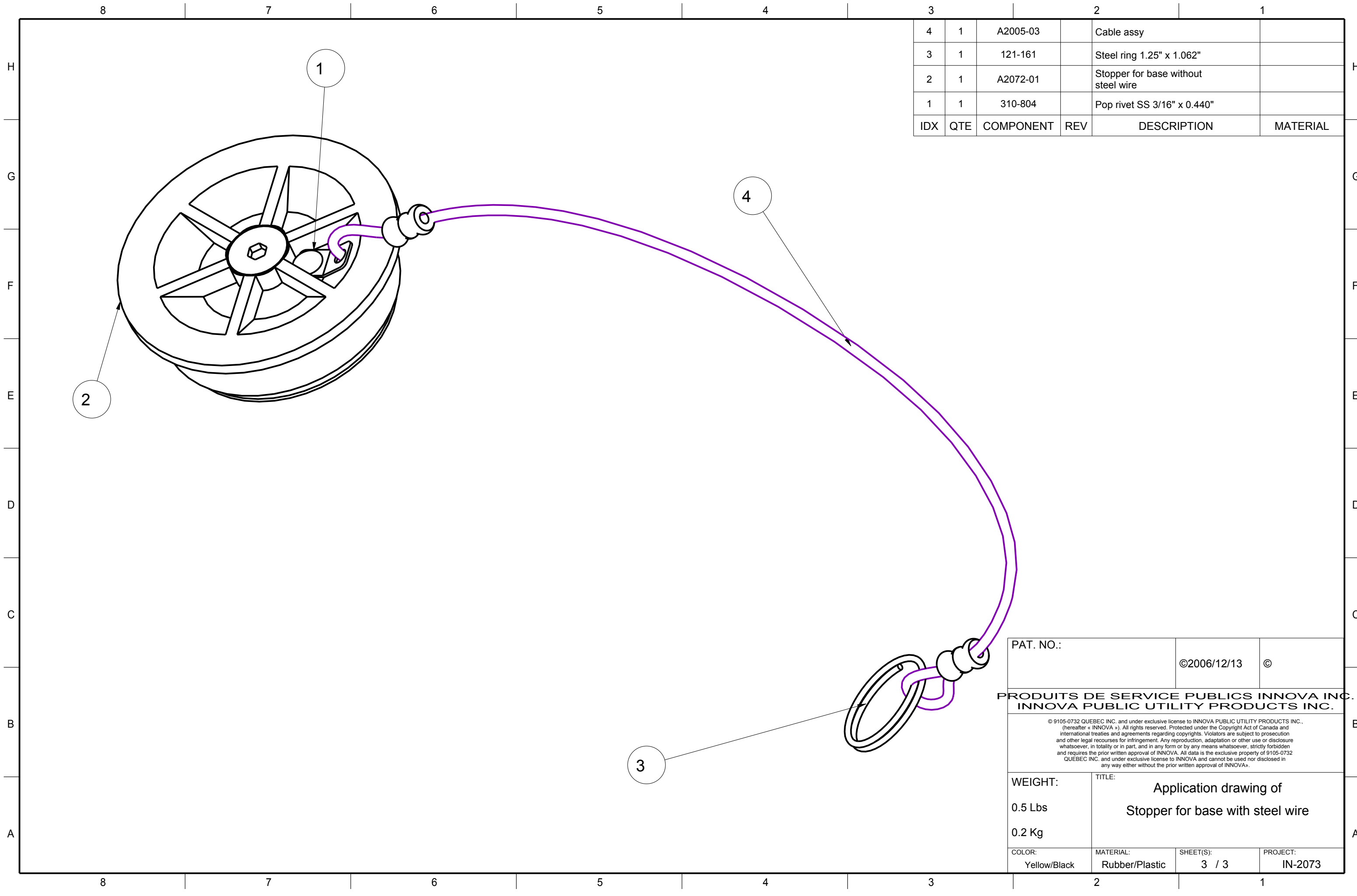
5

4

3

2

1



IDX	QTE	COMPONENT	REV	DESCRIPTION	MATERIAL
4	1	A2005-03		Cable assy	
3	1	121-161		Steel ring 1.25" x 1.062"	
2	1	A2072-01		Stopper for base without steel wire	
1	1	310-804		Pop rivet SS 3/16" x 0.440"	

PAT. NO.:		©2006/12/13		©
PRODUITS DE SERVICE PUBLICS INNOVA INC. INNOVA PUBLIC UTILITY PRODUCTS INC.				
<small>© 9105-0732 QUEBEC INC. and under exclusive license to INNOVA PUBLIC UTILITY PRODUCTS INC., (hereafter « INNOVA »). All rights reserved. Protected under the Copyright Act of Canada and international treaties and agreements regarding copyrights. Violators are subject to prosecution and other legal recourses for infringement. Any reproduction, adaptation or other use or disclosure whatsoever, in totality or in part, and in any form or by any means whatsoever, strictly forbidden and requires the prior written approval of INNOVA. All data is the exclusive property of 9105-0732 QUEBEC INC. and under exclusive license to INNOVA and cannot be used nor disclosed in any way either without the prior written approval of INNOVA.</small>				
WEIGHT:	TITLE:			
0.5 Lbs	Application drawing of Stopper for base with steel wire			
0.2 Kg				
COLOR:	MATERIAL:	SHEET(S):	PROJECT:	
Yellow/Black	Rubber/Plastic	3 / 3	IN-2073	